



**Badger Meter**

# Recordall® Disc Series Meters

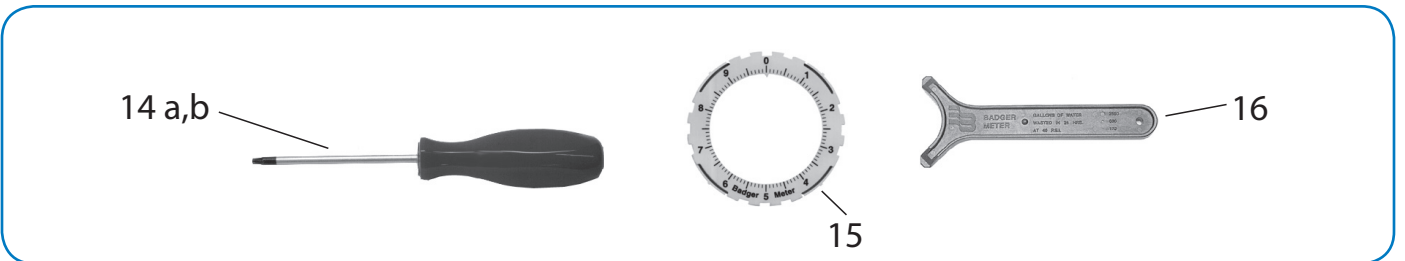
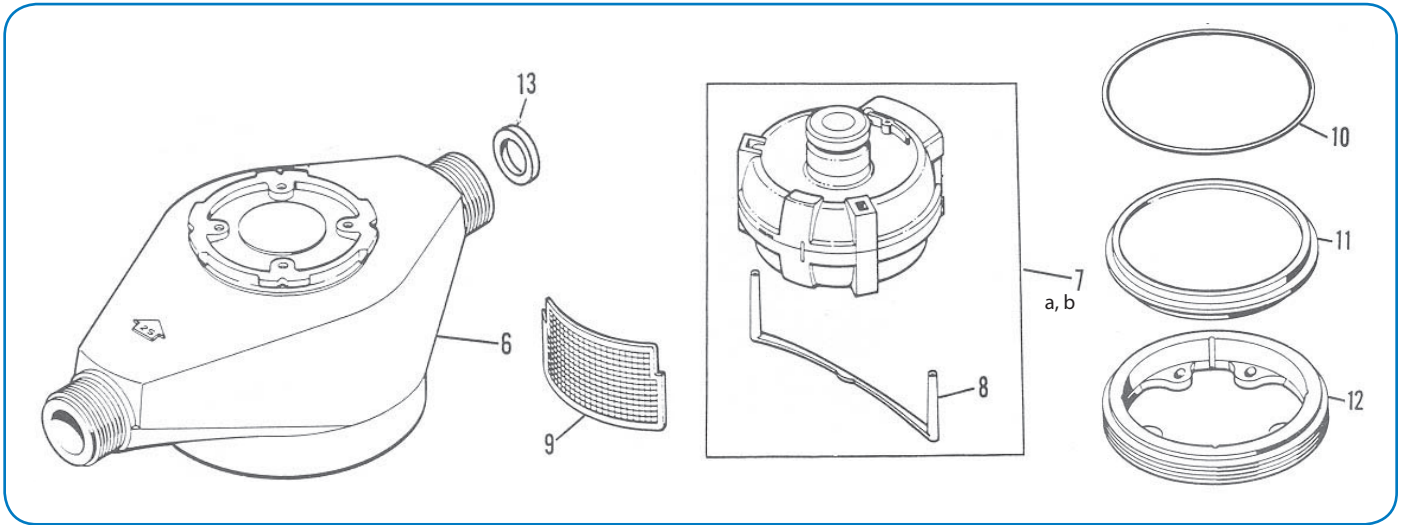
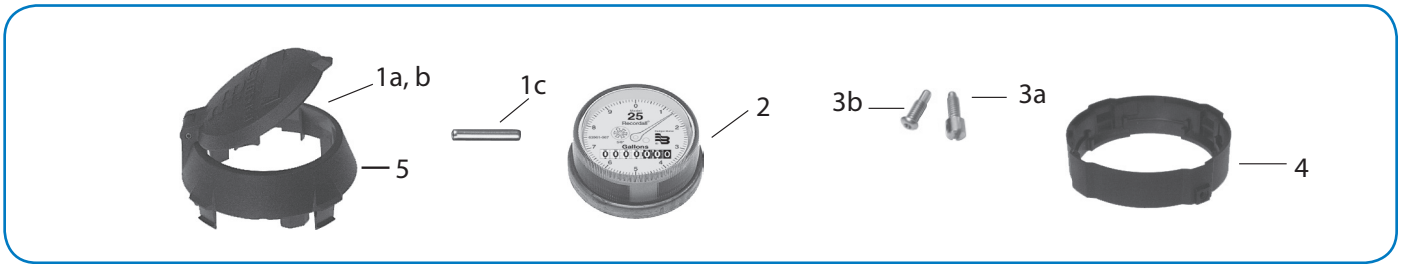
Engineered Polymer, Models 25 and 40



**Model 25**  
5/8", 5/8" x 3/4"



**Model 40**  
1"



Item	Description	Part Number	
		Model 25	Model 40
1a	Register flat lid (plastic)	62278-001	62278-001
1b	Register flat lid (bronze)	62353-001	62353-001
1c	Flat lid hinge pin	59568-003	59568-003
2	Register assembly for: U.S. gallons	63961-002	63961-004
	Cubic feet	63961-003	63961-005
	Imperial gallons	63961-016	63961-017
	Cubic meters	63961-007	63961-008
3a	Tamper-resistant screw, standard (for local register, ADE, RTR)	62335-001	62335-001
	Tamper-resistant screw, standard (for HR-E LCD encoder, not shown)	62624-001	62624-001
3b	Tamper-resistant TORX® seal screw (for local register, ADE, RTR)	62516-001	62516-001
	Tamper-resistant TORX® seal screw (for HR-E LCD encoder, not shown)	62516-002	62516-002
3c	Tamper-resistant keyed seal screw, standard (for local register, ADE, RTR)	66925-001	66925-001
	Tamper-resistant keyed seal screw, short (for HR-E LCD encoder, not shown)	66925-003	66925-003
4	Plastic shroud (bottom half)	62279-001	62279-001
5	Plastic shroud (top half)	62280-001	62280-001
6	Housing, 5/8", 7-1/2" laying length	34513-001	—
	Housing, 5/8" x 3/4", 7-1/2" laying length, 3/4" bore	34513-002	—
	Housing, 5/8" x 3/4", 7-1/2" laying length, 5/8" bore	34513-006	—
	Housing, 1", 10-3/4" laying length	—	34522-001
7a	Chamber and disc assembly engineered polymer w/strap	33334-009	33334-010
8	Chamber retainer strap	34547-001	34547-001
9	Screen	34333-001	34371-001
10	Housing bottom O-ring seal	22650-047	22650-048
11	Housing bottom	34529-001	34530-001
12	Retainer ring	34526-001	34527-001
13	Connection washer (rubber) for: 5/8", 7-1/2" housings	11012-001	—
	5/8" x 3/4", 7-1/2" housings	14143-000	—
	3/4", 9" housings	14143-000	14143-000
	1", 10-3/4" housings	—	18177-000
14a	TORX® seal screw driver & bit (stubby)	62658-001	62658-001
14b	TORX® seal screw driver & bit (long)	62658-003	62658-003
	TORX® seal screw driver bit (not shown)	62657-001	62657-001
14c	Driver bit, keyed seal screw (not shown)	66925-002	66925-002
	Bit driver, stubby, without bit (not shown)	62658-005	62658-005
	Bit driver, standard, without bit (not shown)	62658-006	62658-006
15	Register test ring	62446-001	62446-001
16	Plastic shroud disassembly tool	62346-001	62346-001
	Disassembly tool for housing bottom (not shown)	34754-001	34754-001
<b>Chamber assembly service parts:</b>			
O-Ring for engineered polymer chamber		22650-045	22650-046
O-Ring for all engineered polymer chamber		64083-006	—
Thrust roller		58965-001	58965-003
Dovetail thrust roller insert for plastic chamber		33342-000	33758-000

Recordall is a registered trademark of Badger Meter Inc. Other trademarks appearing in this document are the property of their respective entities.

Due to continuous research, product improvements and enhancements, Badger Meter reserves the right to change product or system specifications without notice, except to the extent an outstanding contractual obligation exists. © 2013 Badger Meter, Inc. All rights reserved.

[www.badgermeter.com](http://www.badgermeter.com)

The Americas | Badger Meter | 4545 West Brown Deer Rd | PO Box 245036 | Milwaukee, WI 53224-9536 | 800-876-3837 | 414-355-0400  
 México | Badger Meter de las Americas, S.A. de C.V. | Pedro Luis Ogazón N°32 | Esq. Angelina N°24 | Colonia Guadalupe Inn | CP 01050 | México, DF | México | +52-55-5662-0882  
 Europe, Middle East and Africa | Badger Meter Europa GmbH | Nurtinger Str 76 | 72639 Neuffen | Germany | +49-7025-9208-0  
 Czech Republic | Badger Meter Czech Republic s.r.o. | Maříkova 2082/26 | 621 00 Brno, Czech Republic | +420-5-41420411  
 Slovakia | Badger Meter Slovakia s.r.o. | Racianska 109/B | 831 02 Bratislava, Slovakia | +421-2-44 63 83 01  
 Asia Pacific | Badger Meter | 80 Marine Parade Rd | 21-04 Parkway Parade | Singapore 449269 | +65-63464836  
 China | Badger Meter | 7-1202 | 99 Hangzhong Road | Minhang District | Shanghai | China 201101 | +86-21-5763 5412

Legacy Document Number: RD-P-1