



Badger Meter

Recordall® Fire Series Meter (FSMA)

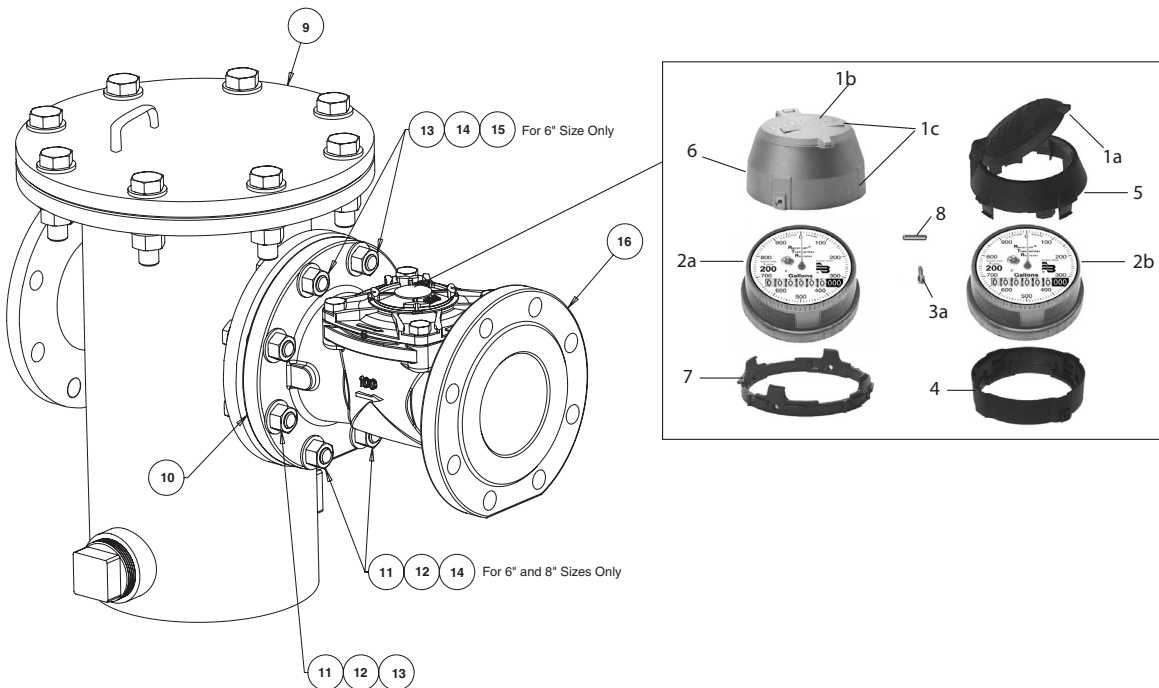
Cold Water Turbine Meter & Integral Strainer, Sizes 3", 4", 6", 8" & 10"

UL Certified & FM 1044 Standard Approved for Fire Service Applications

NSF/ANSI Standards 61 and 372 Certified



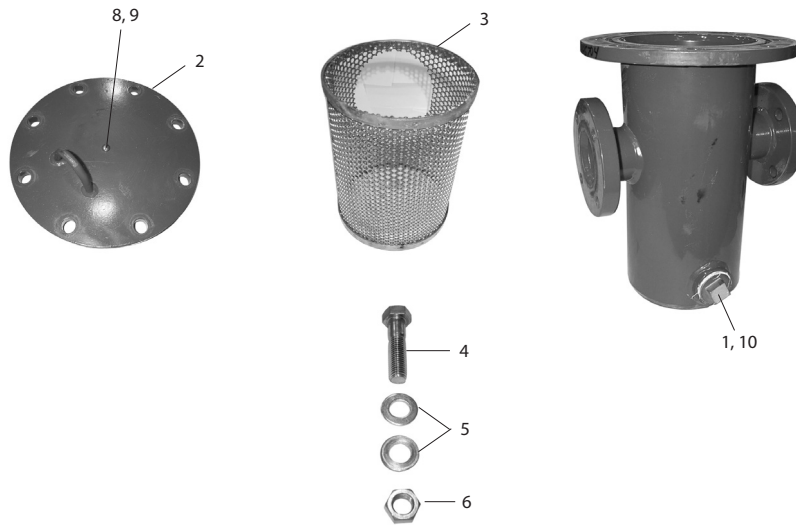
FSMA



Item	Description	Part Numbers				
		3 in. (80 mm)	4 in. (100 mm)	6 in. (150 mm)	8 in. (200 mm)	10 in. (250 mm)
1a	Register flat lid (plastic)	62278-001	62278-001	62278-001	62278-001	62278-001
1b	Register flat lid (bronze)	62353-001	62353-001	62353-001	62353-001	62353-001
1c	Register flat lid and shroud (bronze)	62616-001	62616-001	62616-001	62616-001	62616-001
2	Register, 100 US gal. T.C.	64015-001	64015-002	—	—	—
2	Register, 1000 US gal. T.C.	—	—	64015-003	64015-004	64015-005
2	Register, 10 cubic ft T.C.	64015-006	64015-007	—	—	—
2	Register, 100 cubic ft T.C.	—	—	64015-008	64015-009	64015-010
3a	Screw, tamper-resistant, standard	62335-001	62335-001	62335-001	62335-001	62335-001
4	Plastic shroud (bottom half)	62279-001	62279-001	62279-001	62279-001	62279-001
5	Plastic shroud (top half)	62280-001	62280-001	62280-001	62280-001	62280-001
6	Bronze shroud (for flat lid)	62442-001	62442-001	62442-001	62442-001	62442-001
7	Plastic insert for flat lid bronze shroud	62455-001	62455-001	62455-001	62455-001	62455-001
8	Flat lid hinge pin	59568-003	59568-003	59568-003	59568-003	59568-003
9	See Strainer	—	—	—	—	—
10	Gasket	11071-009	11071-010	11071-011	11071-012	11071-013
11	Bolts	55026-175	55026-175	55026-202	55026-204	55026-232
12	Nuts	55001-061	55001-061	55001-062	55001-062	55001-063
13	Washers	55254-019	55254-019	55254-021	55254-021	55254-023
14	Jam nuts	—	—	63891-001	63891-001	—
15	Studs	—	—	63894-001	63894-001	—
16	Turbo head assembly *	63010-016	63010-016	63010-017	63010-018	63010-019

* Part numbers listed as references only. The Turbo head assembly must be ordered as a configured item.

STRAINER



Item	Description	Part Number			
		3 in. (80 mm) and 4 in. (100 mm)	6 in. (150 mm)	8 in. (200 mm)	10 in. (250 mm)
1	Drain plug	33879-012	33879-012	33879-012	33879-012
2	Strainer cover	63892-025	63892-026	63892-027	63892-028
3	Strainer element	63892-029	63892-030	63892-031	63892-032
4	Bolt	55026-204	55026-232	55026-289	55026-289
5	Washer	55254-021	55254-023	55254-026	55254-026
6	Nut	55001-062	55001-063	55001-065	55001-065
7	Cover O-ring (not shown)	63892-041	63892-033	63892-034	63892-035
8	Vent screw	65006-001	65006-001	65006-001	65006-001
9	Nylon washer	63892-018	63892-018	63892-018	63892-018
10	Optional Valve (not shown)	63769-006	63769-008	63769-008	63769-008

Making Water Visible®

Making Water Visible, ORION and Recordall are registered trademarks of Badger Meter, Inc. Other trademarks appearing in this document are the property of their respective entities. Due to continuous research, product improvements and enhancements, Badger Meter reserves the right to change product or system specifications without notice, except to the extent an outstanding contractual obligation exists. © 2015 Badger Meter, Inc. All rights reserved.

www.badgermeter.com

The Americas | Badger Meter | 4545 West Brown Deer Rd | PO Box 245036 | Milwaukee, WI 53224-9536 | 800-876-3837 | 414-355-0400

México | Badger Meter de las Americas, S.A. de C.V. | Pedro Luis Ogazón N°32 | Esq. Angelina N°24 | Colonia Guadalupe Inn | CP 01050 | México, DF | México | +52-55-5662-0882

Europe, Middle East and Africa | Badger Meter Europa GmbH | Nurtlinger Str 76 | 72639 Neuffen | Germany | +49-7025-9208-0

Europe, Middle East Branch Office | Badger Meter Europe | PO Box 341442 | Dubai Silicon Oasis, Head Quarter Building, Wing C, Office #C209 | Dubai / UAE | +971-4-371 2503

Czech Republic | Badger Meter Czech Republic s.r.o. | Mařikova 2082/26 | 621 00 Brno, Czech Republic | +420-5-41420411

Slovakia | Badger Meter Slovakia s.r.o. | Racianska 109/B | 831 02 Bratislava, Slovakia | +421-2-44 63 83 01

Asia Pacific | Badger Meter | 80 Marine Parade Rd | 21-06 Parkway Parade | Singapore 449269 | +65-63464836

China | Badger Meter | 7-1202 | 99 Hangzhong Road | Minhang District | Shanghai | China 201101 | +86-21-5763 5412